

Current Loop Control

A2007 series

Features

The [A2007](#) series current loop control units are designed to be used as a 4-20mA signal source. The units are loop powered, suitable for 2 wire 4-20 mA current loop systems.

Usage.

- Human machine interface
- Loop testing
- Software testing
- Alarm testing
- PID controller testing
- Actuator testing.

Type denominator

A2007B Boxed unit with indicator and 10 turn potentiometer

A2007C PCB unit with single turn potentiometer.

A2007E PCB panel mount unit with 10 turn precision potentiometer.

.....-X Extended range version according [Namur NE43](#) 3,4-21,5 mA range

.....-SP Special range version 1,6 to 26mA

	A2007B-4M	A2007B-DIN	A2007C	A2007E	A2007E-X	A2007E-SP
Indicator	Analog	Analog	No	No	No	No
Potentiometer	10 turn precision	10 turn precision	Single turn	10 turn precision	10 turn precision	10 turn precision
Mateial axle	Metal	Metal	Plastic	Metal	Metal	Metal
Low (mA)	4,00	4,00	4,00	4,00	3,40	1,60
High (mA)	20,00	20,00	20,00	20,00	21,50	26,00
Accuracy	1%	1%	1%	1%	1%	5%
Low min. (mA)	3,96	3,96	3,96	3,96	3,35	1,56
Low max (mA)	4,00	4,00	4,00	4,00	3,40	1,63
High min. (mA)	20,00	20,00	20,00	20,00	21,50	25,50
High max. (mA)	20,20	20,20	20,20	20,20	21,70	26,50
Supply min (V)	8,0	8,0	7,2	7,2	7,2	7,2
Supply max (V)	32,0	32,0	32,7	32,7	32,7	32,7
Connection	4mm Lab	Din 43650	Screw terminal	Screw terminal	Screw terminal	Screw terminal
Mounting (mm)	n.a.	n.a.	Ø10	Ø 9,0	Ø 9,0	Ø 9,0
Weight (gr)	210	210	17	24	24	24

Pictures



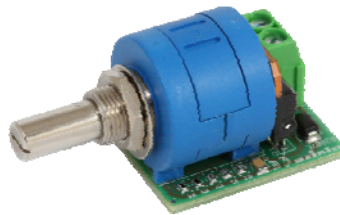
A2007B-4M



A2007B-DIN

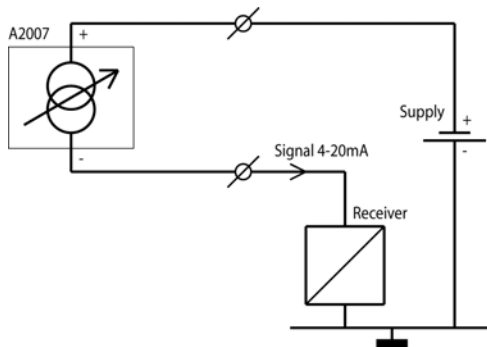


A2007C

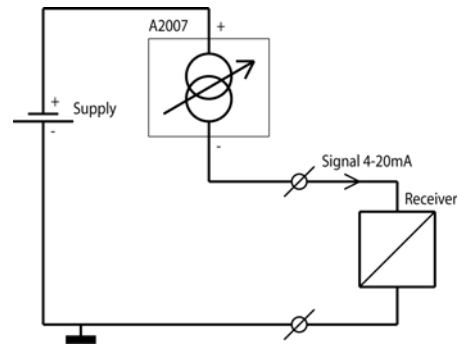


A2007E

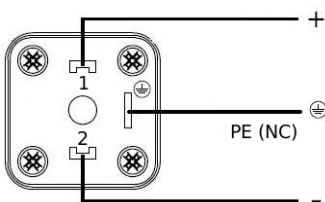
Connection diagrams



2 wire connection

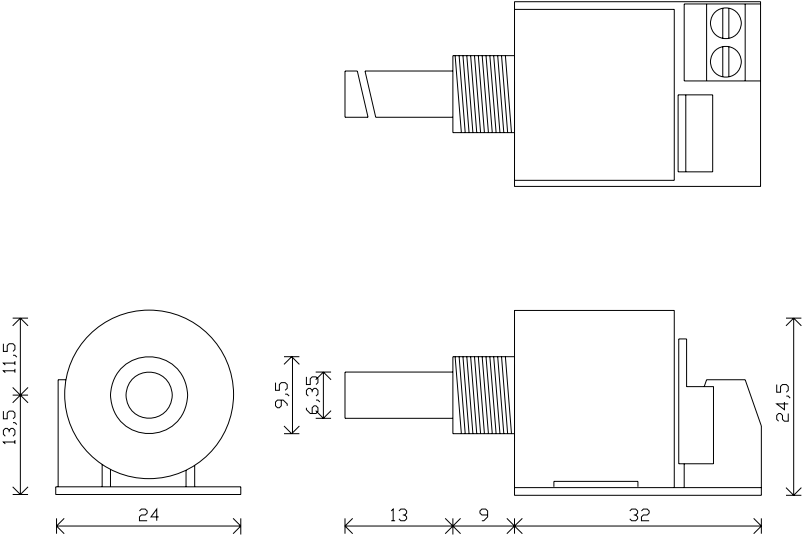


4 wire connection

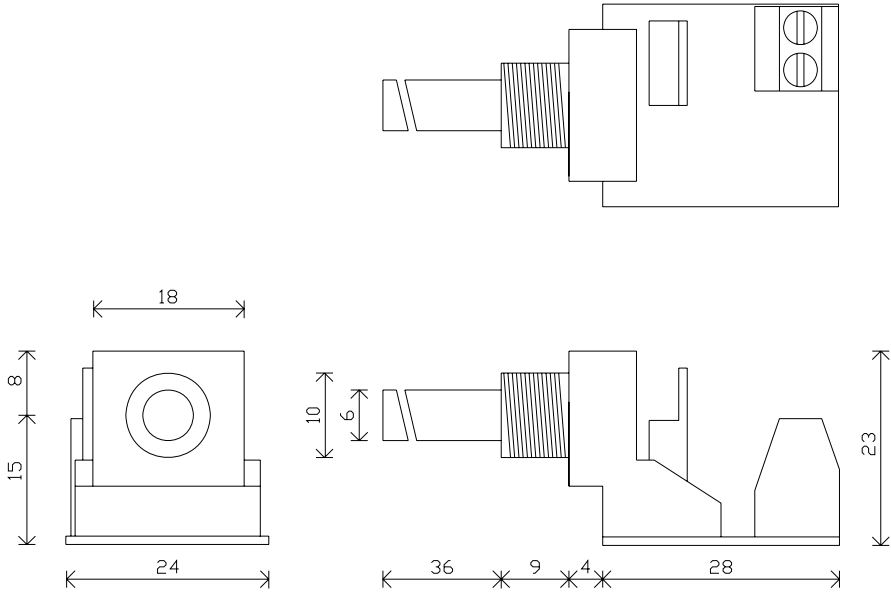


DIN 43650 connection [A2007B DIN](#)

Dimensional drawings

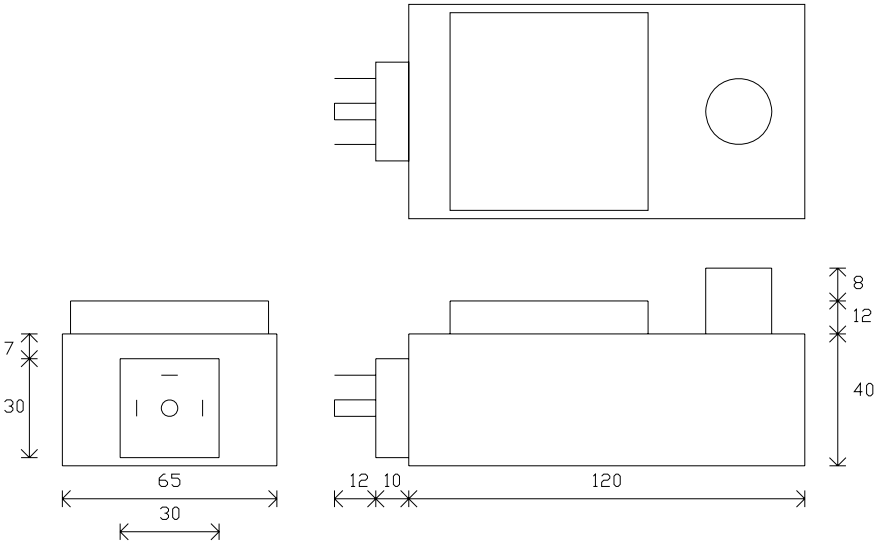


A2007E



A2007C

Dimensional drawings



A2007B

© 2006-2018
DIVIZE b.v.
Industrieweg 26
2254AE VOORSCHOTEN
Netherlands
www.divize.com
info@divize.com

Revision 07: September 25, 2018